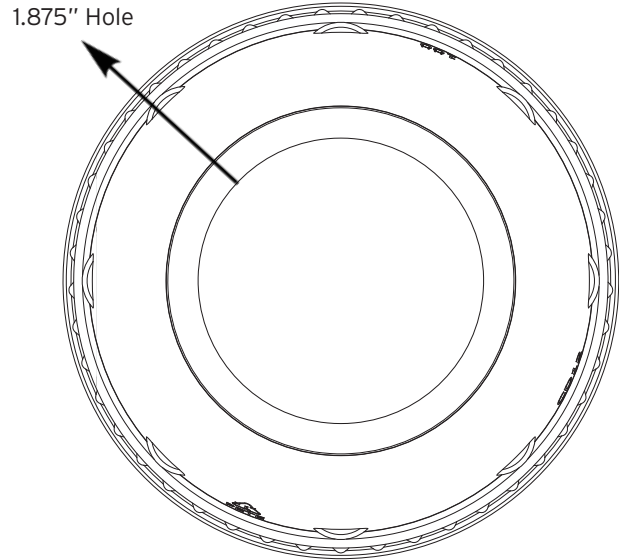
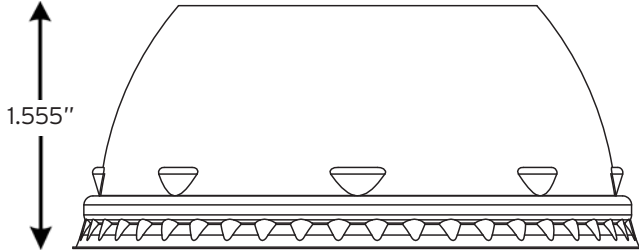


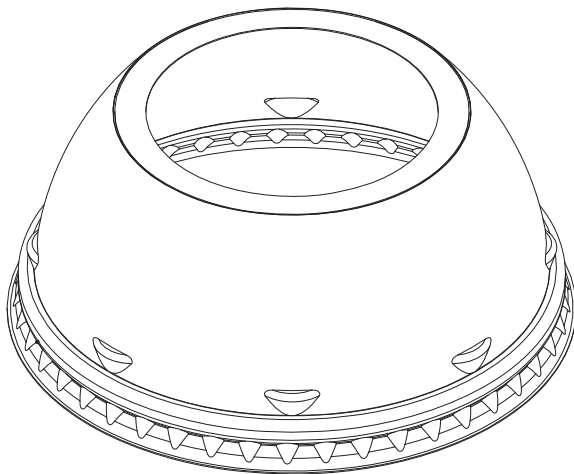


CD12 Clear High Dome

CD12N (No Hole), CD12H (Hole)



Top View



Side View

CD12 Clear High Dome Specifications

Theoretical Trim Diameter (Inches)	3.690
Theoretical Contour I.D. (Inches)	3.492
Theoretical Restriction I.D. (Inches)	3.456
Theoretical Lid Height (Inches)	1.555
Optional Center Hole I.D. (Inches)	1.875

±0.010