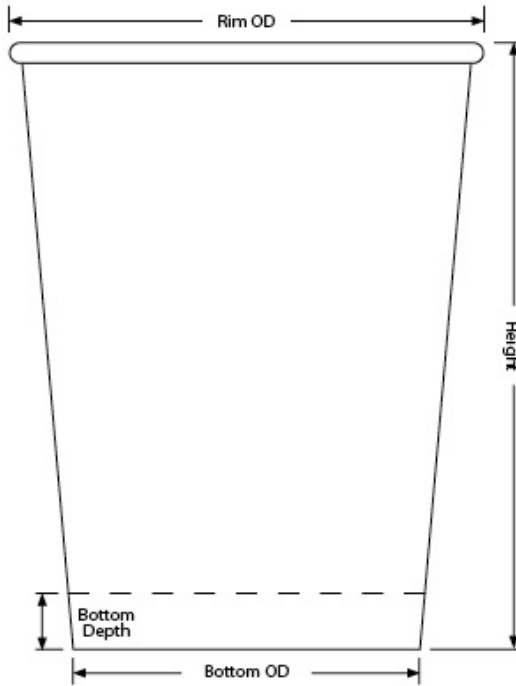




C917 17oz Drink Cup (17)

17oz Recycled Paper Cup-Double Poly



Capacity: 17.59oz / 520.00ml

Material: 17pt Recycled Paper, Poly 2-sides, 35% Post-Consumer Recycled Fiber, FSC SFI PEFC Certified

Minimum: 2,000 pieces

Height: 4.682" \pm .015

Rim Height: 0.150" \pm .010

Rim OD: 3.688" \pm .010

Bottom OD: 2.665" \pm .010

Bottom Depth: 0.414" \pm .010

Shipping: FOB NV - Made in the USA

17oz Drink Cup (17) available in [Double-Poly Paper](#)
[Plastic-Free Paper](#) [Clear Plastic](#)

C917 Standard Case Pack Configuration

Box Dimensions: 18.88"x15.19"x25.28"

Box Volume: 4.20 Cubic Feet

Box Weight: 34 lbs

Box Content: 1,000 Pieces

Pallet Dimensions: 40.00"x48.00"x96"

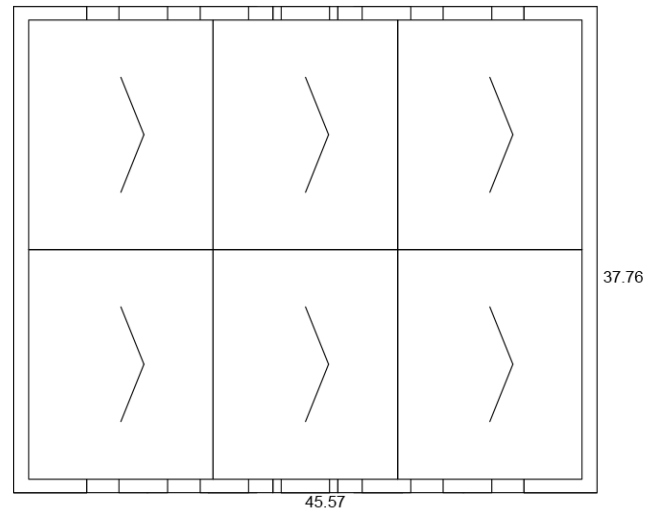
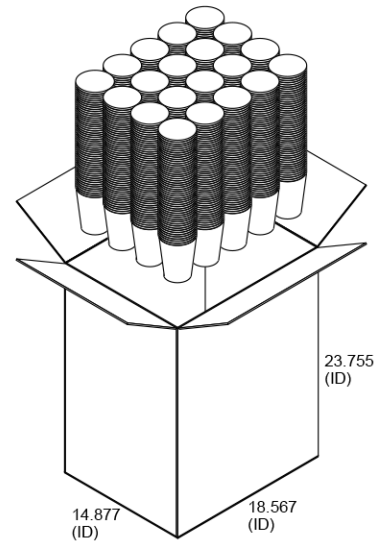
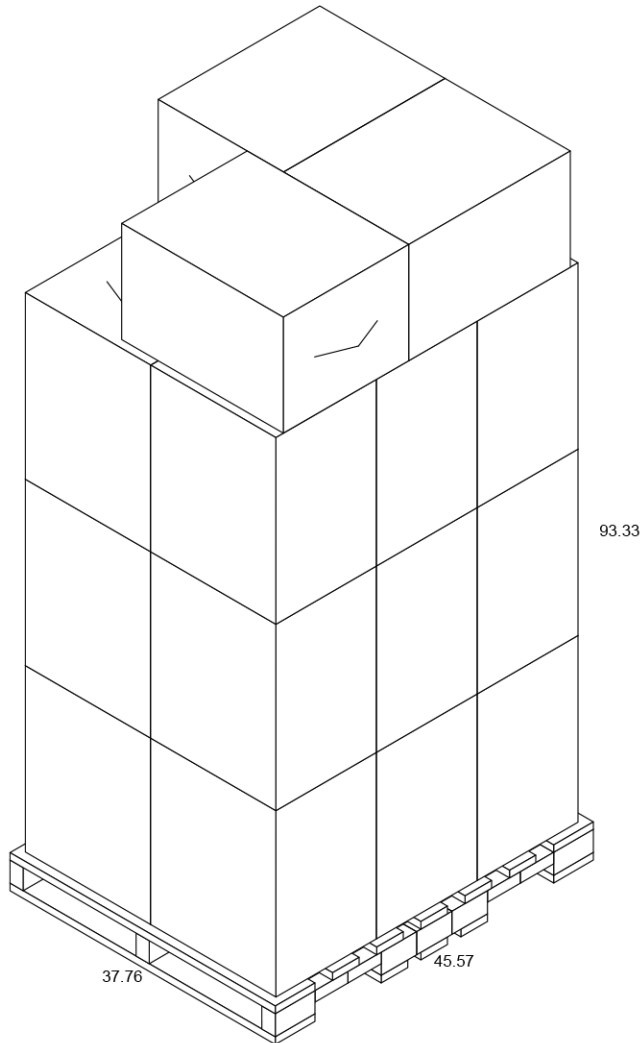
Pallet Weight: 759 lbs

Pallet Content: 21,000 Pieces / 21 Boxes

SEE LID OPTIONS ON LAST PAGE

Pallet for C917 (Gloss), M917 (Matte)

17oz Recycled Paper Cup-Double Poly





Lid Options for C917 (Gloss), M917 (Matte) 17oz Recycled Paper Cup-Double Poly



Reusable Basic Lids

- Reusable, injection molded
- Black & white standard
- With & without straw slot
- Case: 1,000 - 14 lbs



Clear Single-Use Lid

- Clear, thermo-formed
- With & without straw slot
- Case: 1,000 - 7 lbs



Clear High Dome Lid

- Clear, thermo-formed
- With top opening
- Case: 1,000 - 9 lbs