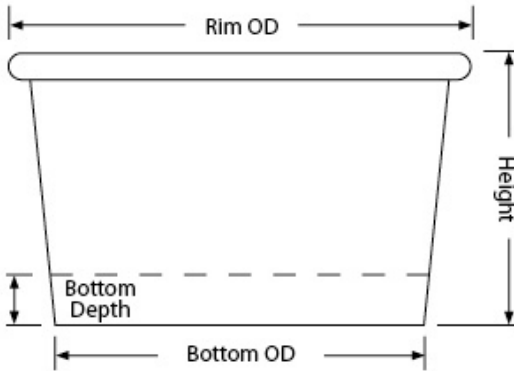




# C9T3 3oz Container (T3)

3oz T3 Recycled Paper Container-Double Poly



---

**Capacity:** 3.30oz / 98.40ml

---

**Material:** 16pt Recycled Paper, Poly 2-sides, 35% Post-Consumer Recycled Fiber, FSC SFI PEFC Certified

---

**Minimum:** 2,000 pieces

---

**Height:** 1.645"  $\pm$ .015

---

**Rim Height:** 0.150"  $\pm$ .010

---

**Rim OD:** 2.789"  $\pm$ .010

---

**Bottom OD:** 2.215"  $\pm$ .010

---

**Bottom Depth:** 0.301"  $\pm$ .010

---

**Shipping:** FOB NV - Made in the USA

---

3oz Container (T3) available in [Double-Poly Paper](#)  
[Plastic-Free Paper](#)

---

## C9T3 Standard Case Pack Configuration

Box Dimensions: 14.45"x11.66"x16.43"

Box Volume: 1.60 Cubic Feet

Box Weight: 14 lbs

Box Content: 1,000 Pieces

Pallet Dimensions: 40.00"x48.00"x87"

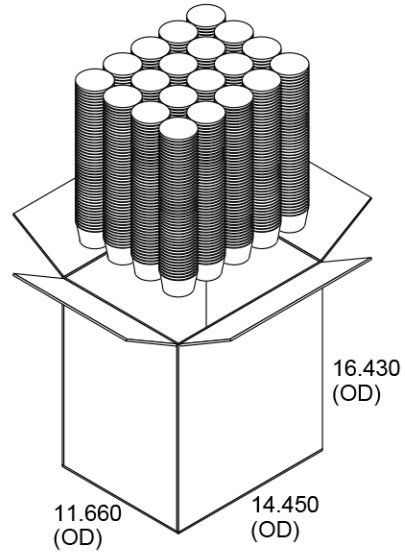
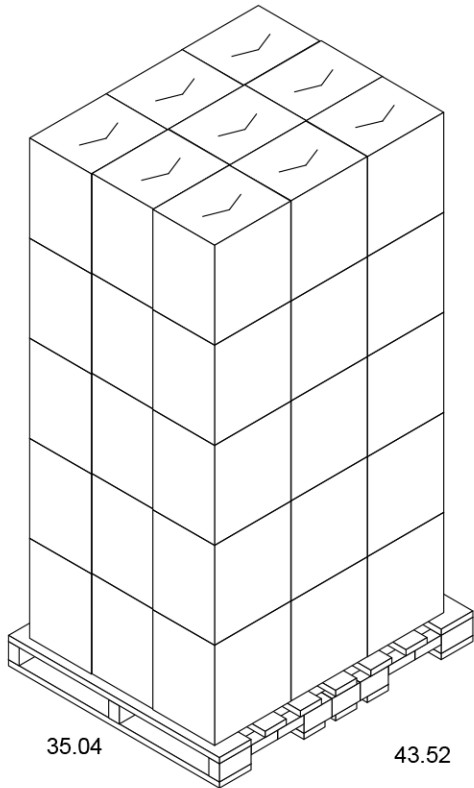
Pallet Weight: 675 lbs

Pallet Content: 45,000 Pieces / 45 Boxes

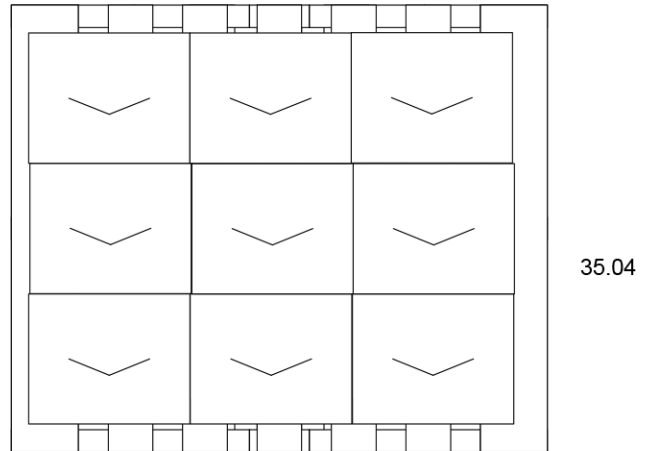
SEE LID OPTIONS ON LAST PAGE

# Pallet for C9T3 (Gloss), M9T3 (Matte)

## 3oz T3 Recycled Paper Container-Double Poly



87.15



## Lid Options for C9T3 (Gloss), M9T3 (Matte) 3oz T3 Recycled Paper Container-Double Poly



### P2 Printed Snap-Fit Paper

- Hi-Definition, Full Color
- Customizable
- Seamlessly registered text
- Uninterrupted text
- Three week leadtime
- Case: 500 - 6 lbs



### Clear U-Dome Lid

- Clear, thermo-formed
- Container fits in lid
- Case: 1,000 - 7 lbs