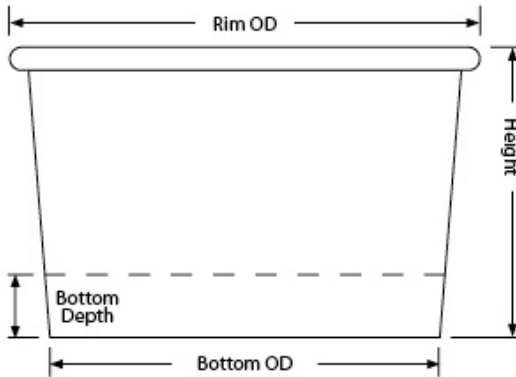




C9T5 5oz Container (T5)

5oz T5 Recycled Paper Container-Double Poly



Capacity: 5.50oz / 161.80ml

Material: 16pt Recycled Paper, Poly 2-sides, 35% Post-Consumer Recycled Fiber, FSC SFI PEFC Certified

Minimum: 2,000 pieces

Height: 2.000" \pm .015

Rim Height: 0.150" \pm .010

Rim OD: 3.210" \pm .010

Bottom OD: 2.665" \pm .010

Bottom Depth: 0.414" \pm .010

Shipping: FOB NV - Made in the USA

5oz Container (T5) available in [Double-Poly Paper](#)
[Single-Poly Paper](#) [Plastic-Free Paper](#)

C9T5 Standard Case Pack Configuration

Box Dimensions: 16.78"x13.00"x22.28"

Box Volume: 2.81 Cubic Feet

Box Weight: 20 lbs

Box Content: 1,000 Pieces

Pallet Dimensions: 40.00"x48.00"x94"

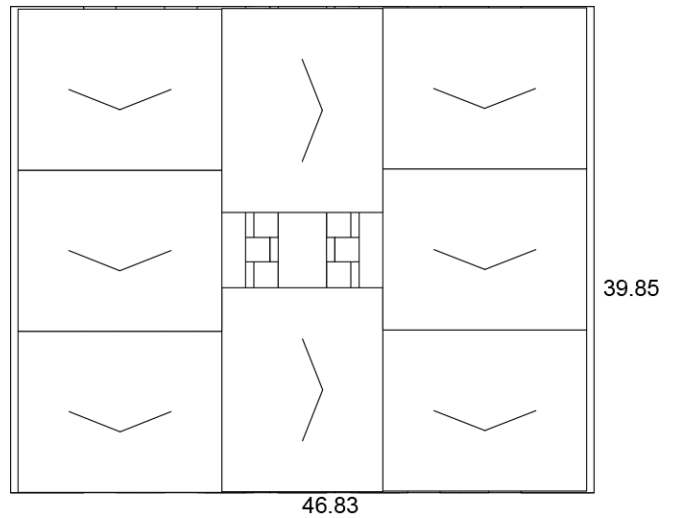
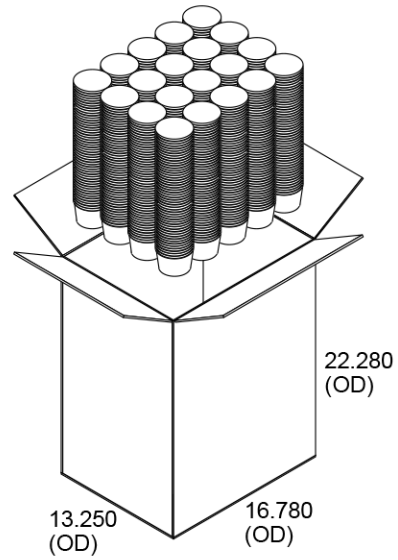
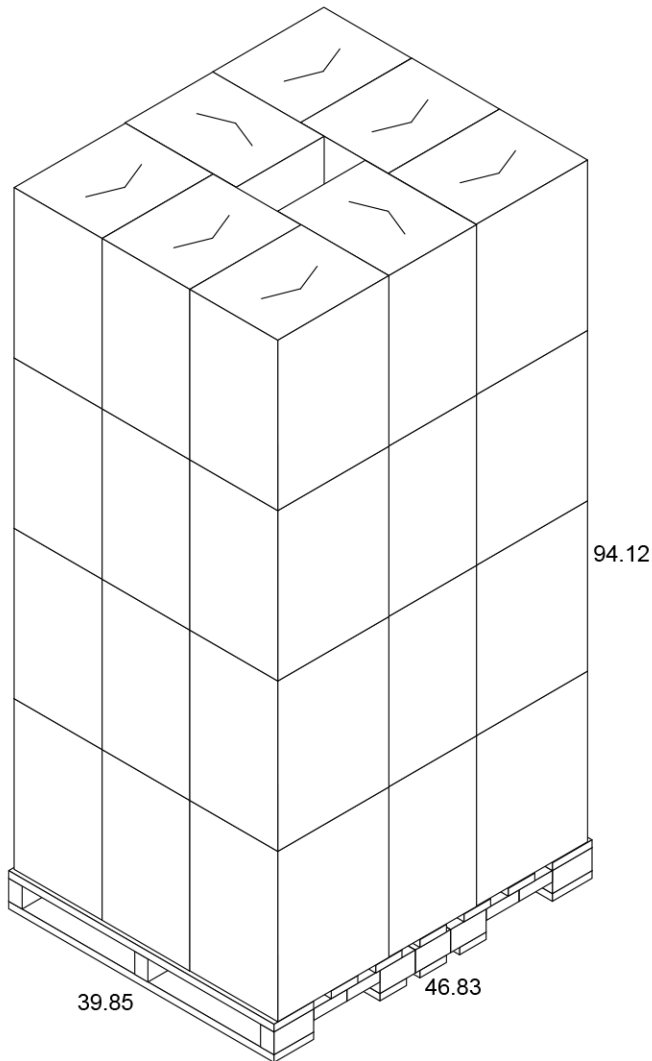
Pallet Weight: 685 lbs

Pallet Content: 32,000 Pieces / 32 Boxes

SEE LID OPTIONS ON LAST PAGE

Pallet for C9T5 (Gloss), M9T5 (Matte)

5oz T5 Recycled Paper Container-Double Poly



Lid Options for C9T5 (Gloss), M9T5 (Matte) 5oz T5 Recycled Paper Container-Double Poly



P2 Printed Snap-Fit Paper

- Hi-Definition, Full Color
- Customizable
- Seamlessly registered text
- Uninterrupted text
- Three week leadtime
- Case: 500 - 8 lbs



P2 Spoon-In Paper Lid

- Spoon pre-assembled into lid
- Hi-Definition, Full Color
- Customizable
- Seamlessly registered text
- Uninterrupted text
- Three week leadtime
- Case: 500 - 10 lbs



Clear Single-Use Lid

- Clear, thermo-formed
- With & without straw slot
- Call for shipping info



Clear U-Dome Lid

- Clear, thermo-formed
- Container fits in lid
- Case: 1,000 - 9 lbs