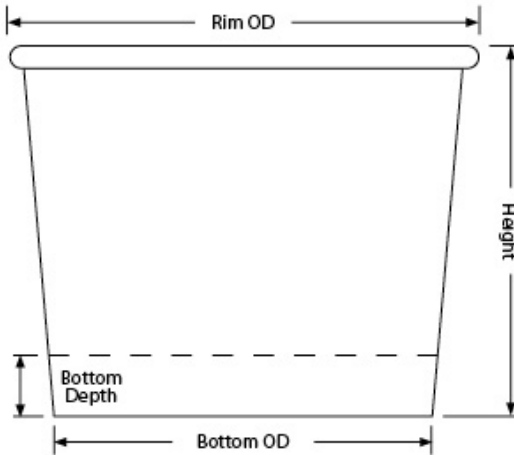




C9T8 8oz Container (T8)

8oz T8 Recycled Paper Container-Double Poly



Capacity: 8.00oz / 237.00ml

Material: 16pt Recycled Paper, Poly 2-sides, 35% Post-Consumer Recycled Fiber, FSC SFI PEFC Certified

Minimum: 2,000 pieces

Height: 2.634" \pm .015

Rim Height: 0.150" \pm .010

Rim OD: 3.321" \pm .010

Bottom OD: 2.665" \pm .010

Bottom Depth: 0.414" \pm .010

Shipping: FOB NV - Made in the USA

8oz Container (T8) available in [Double-Poly Paper](#)
[Plastic-Free Paper](#) [White Plastic](#)

C9T8 Standard Case Pack Configuration

Box Dimensions: 17.33"x13.45"x22.83"

Box Volume: 3.08 Cubic Feet

Box Weight: 28 lbs

Box Content: 1,000 Pieces

Pallet Dimensions: 40.00"x48.00"x96"

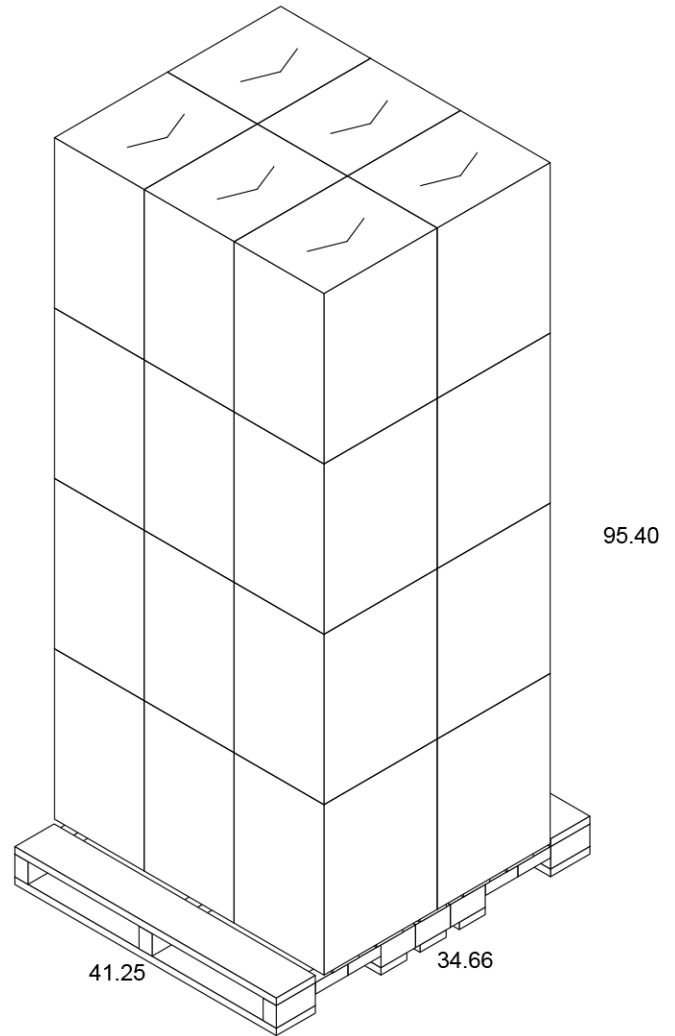
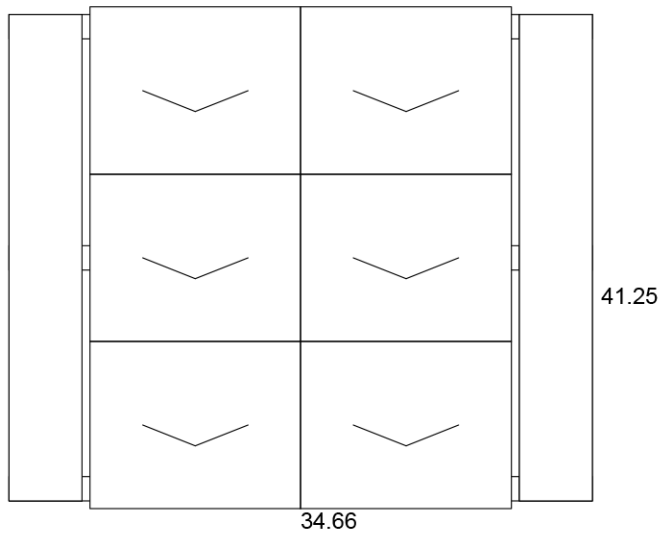
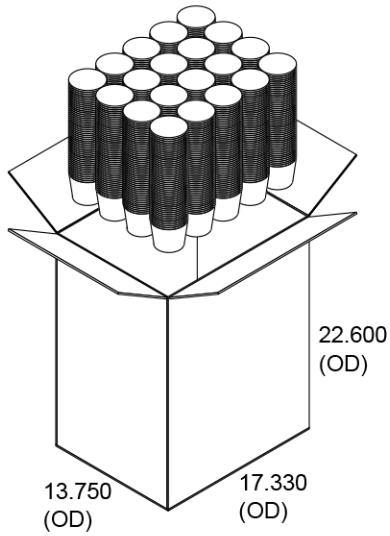
Pallet Weight: 717 lbs

Pallet Content: 24,000 Pieces / 24 Boxes

SEE LID OPTIONS ON LAST PAGE

Pallet for C9T8 (Gloss), M9T8 (Matte)

8oz T8 Recycled Paper Container-Double Poly



Lid Options for C9T8 (Gloss), M9T8 (Matte) 8oz T8 Recycled Paper Container-Double Poly



P2 Printed Snap-Fit Paper

- Hi-Definition, Full Color
- Customizable
- Seamlessly registered text
- Uninterrupted text
- Three week leadtime
- Case: 500 - 9 lbs



Reusable Basic Lid

- Reusable, injection molded
- Black & white standard
- Available in red
- No straw slot
- Case: 1,000 - 13 lbs



Clear Single-Use Lid

- Clear, thermo-formed
- With & without straw slot
- Call for shipping info



Clear High Dome Lid

- Clear, thermo-formed
- With top opening
- Call for shipping info