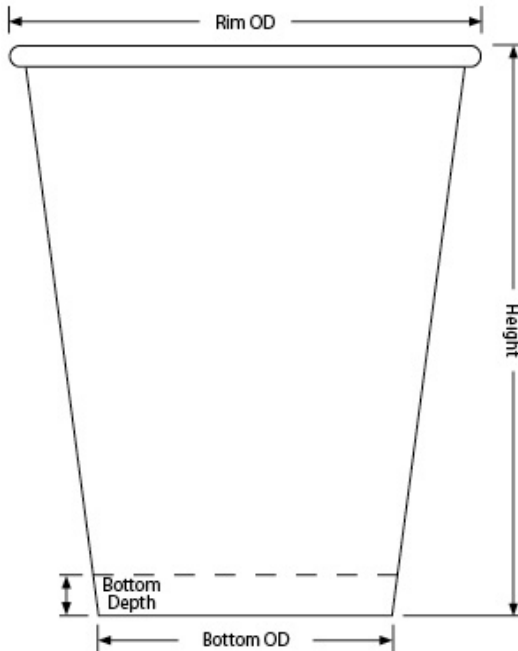




# F213 12oz Drink Cup (13)

12oz Tall Reusable, Recyclable Cup - Clear



---

**Capacity:** 13.10oz / 387.20ml

---

**Material:** 19mil Recyclable Clear Polypropylene

---

**Minimum:** 5,000 pieces

---

**Height:** 4.248"  $\pm$ .015

---

**Rim Height:** 0.170"  $\pm$ .010

---

**Rim OD:** 3.515"  $\pm$ .010

---

**Bottom OD:** 2.184"  $\pm$ .010

---

**Bottom Depth:** 0.300"  $\pm$ .010

---

**Shipping:** FOB NV - Made in the USA

---

12oz Drink Cup (13) available in [Double-Poly Paper](#)  
[Single-Poly Paper](#) [Plastic-Free Paper](#) [Clear Plastic](#)

---

## F213 Standard Case Pack Configuration

Box Dimensions: 18.10"x14.58"x12.61"

Box Volume: 1.93 Cubic Feet

Box Weight: 18 lbs

Box Content: 500 Pieces

Pallet Dimensions: 40.00"x48.00"x91"

Pallet Weight: 801 lbs

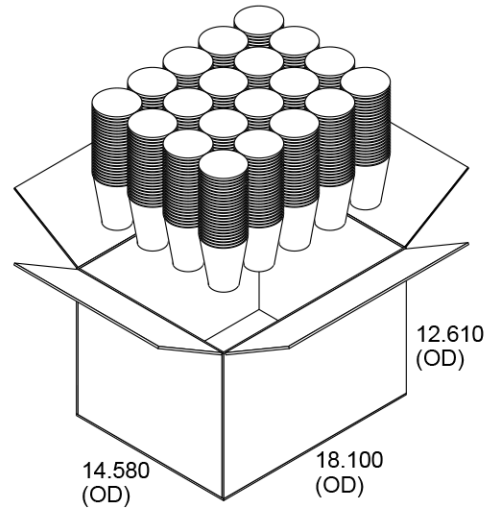
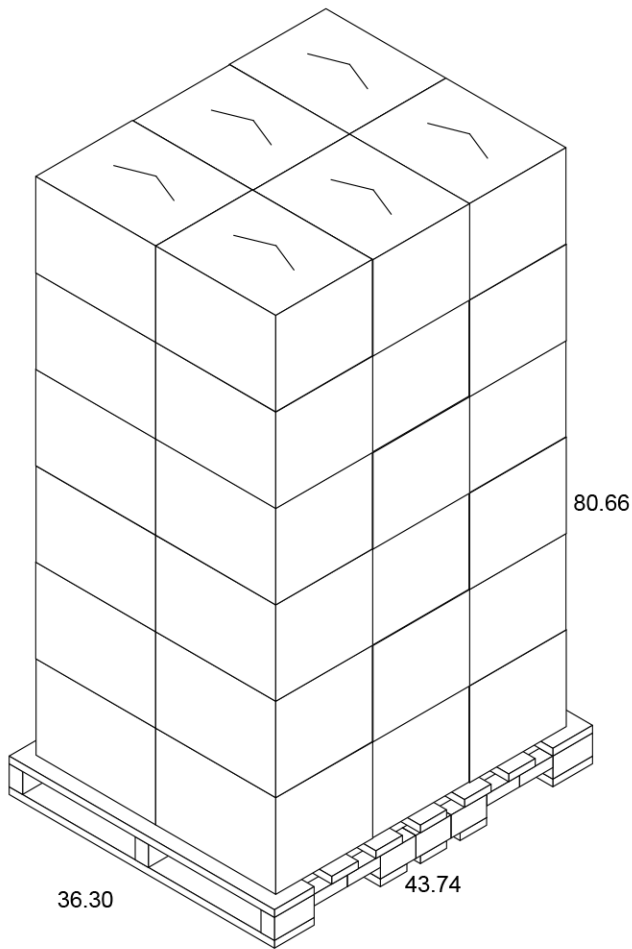
Pallet Content: 21,000 Pieces / 42 Boxes

SEE LID OPTIONS ON LAST PAGE

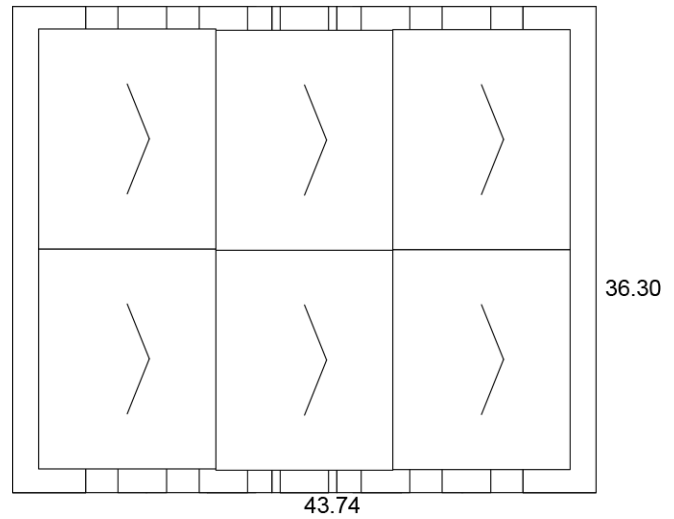
# Pallet for F213

12oz Tall Reusable, Recyclable Cup - Clear

Pallet View



Top View



## Lid Options for F213

12oz Tall Reusable, Recyclable Cup - Clear



### P2 Printed Snap-Fit Paper

- Hi-Definition, Full Color
- Customizable
- Seamlessly registered text
- Uninterrupted text
- Three week leadtime
- Case: 500 - 10 lbs



### Clear Single-Use Lid

- Clear, thermo-formed
- With & without straw slot
- Case: 1,000 - 8 lbs



### Clear High Dome Lid

- Clear, thermo-formed
- With top opening
- Case: 1,000 - 10 lbs



### Cappuccino Lid

- White/Black, thermo-formed
- Vented lid
- Case: 1,000 - 8 lbs