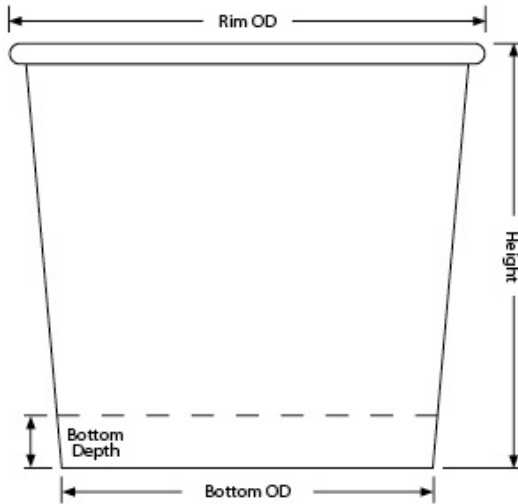




# MNU2 Mid 12oz Container (U2)

12oz U2 VANISH™ Plastic-FREE Paper Container



---

**Capacity:** 12.10oz / 358.80ml

---

**Material:** 16.9pt VANISH™ Plastic-FREE, Compostable, Recyclable Paper SFI PEFC Certified

---

**Minimum:** 2,000 pieces

---

**Height:** 3.250" ±.015

---

**Rim Height:** 0.150" ±.010

---

**Rim OD:** 3.635" ±.010

---

**Bottom OD:** 2.843" ±.010

---

**Bottom Depth:** 0.400" ±.010

---

**Shipping:** FOB NV - Made in the USA

---

Mid 12oz Container (U2) available in [Double-Poly Paper](#)  
[Single-Poly Paper](#) [Plastic-Free Paper](#)

---

## MNU2 Standard Case Pack Configuration

Box Dimensions: 19.25"x15.25"x23.38"

Box Volume: 3.97 Cubic Feet

Box Weight: 28 lbs

Box Content: 1,000 Pieces

Pallet Dimensions: 40.00"x48.00"x90"

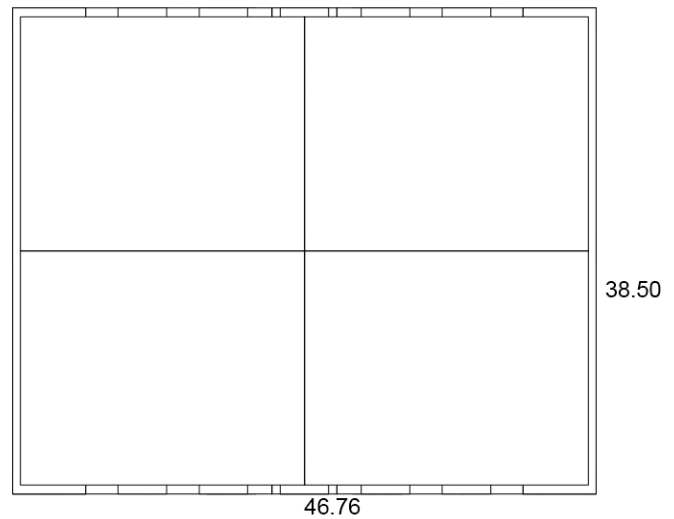
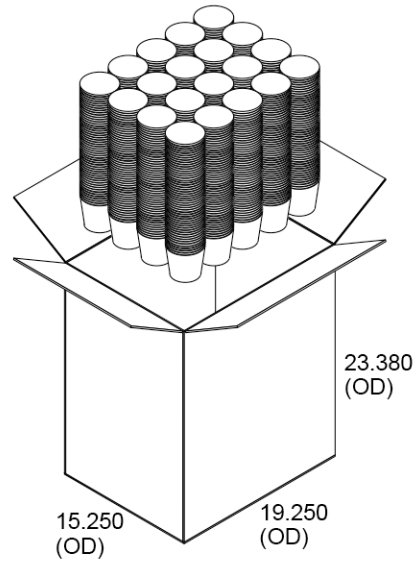
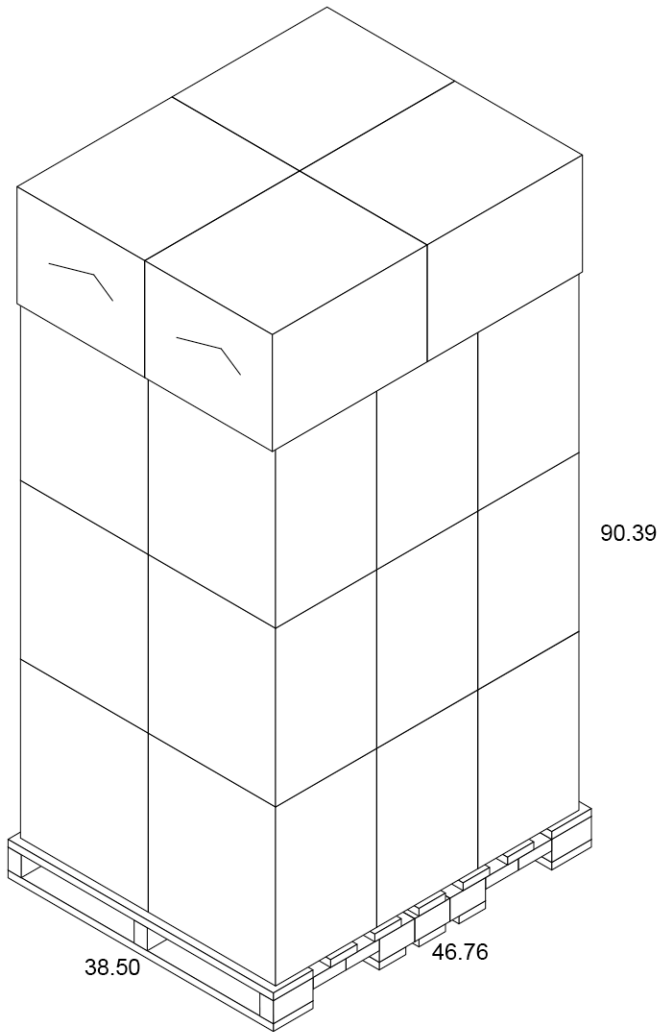
Pallet Weight: 661 lbs

Pallet Content: 22,000 Pieces / 22 Boxes

**SEE LID OPTIONS ON LAST PAGE**

# Pallet for MNU2 (Matte)

12oz U2 VANISH™ Plastic-FREE Paper Container



## Lid Options for MNU2 (Matte)

12oz U2 VANISH™ Plastic-FREE Paper Container



### P2 Printed Snap-Fit Paper

- Hi-Definition, Full Color
- Customizable
- Seamlessly registered text
- Uninterrupted text
- Three week leadtime
- Case: 500 - 11 lbs



### Reusable Basic Lid

- Reusable, injection molded
- Black & white standard
- Available in red
- No straw slot
- Call for shipping info