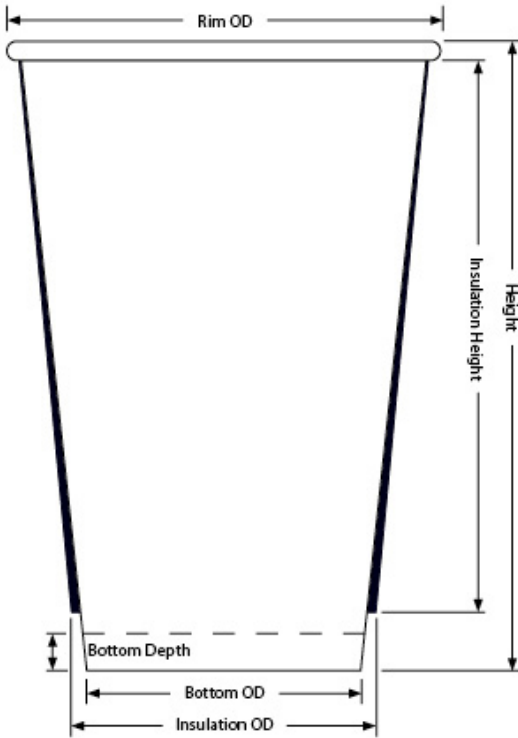




X2D6 16oz Drink Cup (D6)

16oz Double Wall Recycled Paper Cup



Capacity: 16.00oz / 473.00ml

Material: 16.5pt Recycled Paper, Poly 1-side, 35% Post-Consumer Recycled Fiber, FSC SFI PEFC Certified

Minimum: 1,000 pieces

Height: 5.099" \pm .015

Rim Height: 0.150" \pm .010

Rim OD: 3.515" \pm .010

Bottom OD: 2.215" \pm .010

Bottom Depth: 0.301" \pm .010

Shipping: FOB NV - Made in the USA

16oz Drink Cup (D6) available in [Double Wall Plastic-Free Double Wall](#)

X2D6 Standard Case Pack Configuration

Box Dimensions: 23.75"x18.25"x14.01"

Box Volume: 3.51 Cubic Feet

Box Weight: 27 lbs

Box Content: 500 Pieces

Pallet Dimensions: 40.00"x48.00"x89"

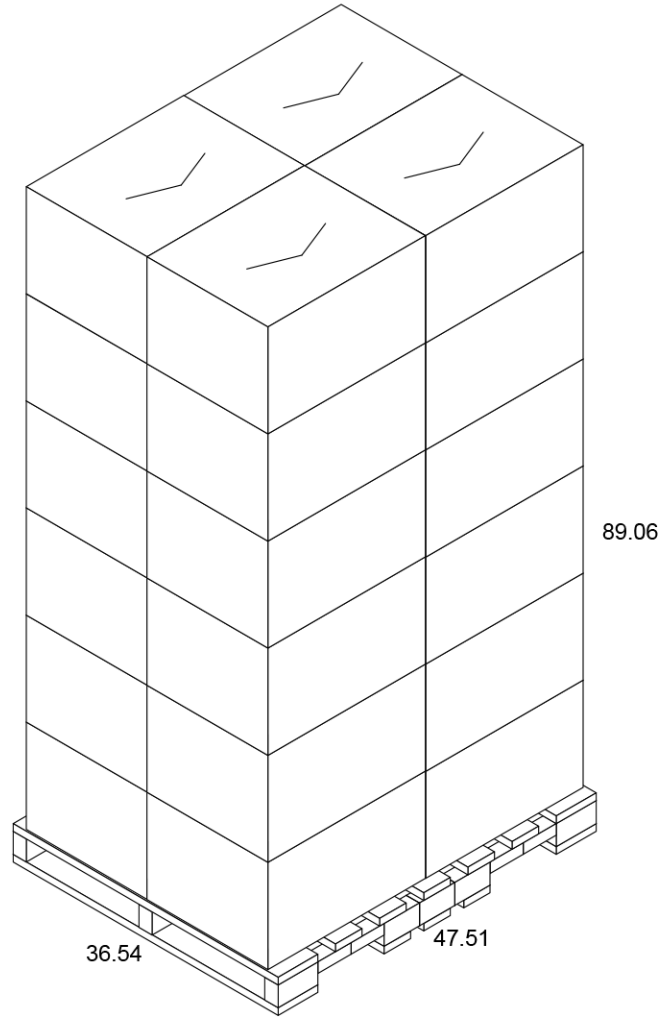
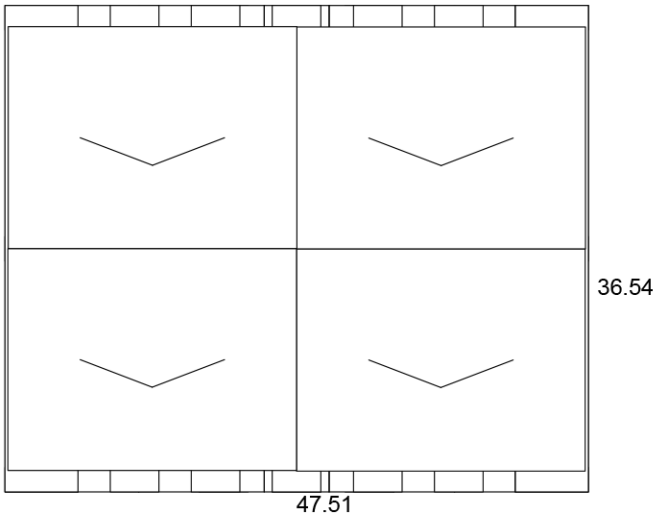
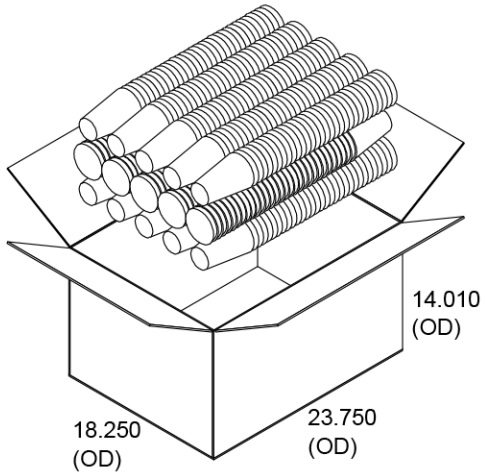
Pallet Weight: 693 lbs

Pallet Content: 12,000 Pieces / 24 Boxes

SEE LID OPTIONS ON LAST PAGE

Pallet for X2D6 (Gloss), XHD6 (Matte)

16oz Double Wall Recycled Paper Cup



Lid Options for X2D6 (Gloss), XHD6 (Matte) 16oz Double Wall Recycled Paper Cup



P2 Printed Snap-Fit Paper

- Hi-Definition, Full Color
- Customizable
- Seamlessly registered text
- Uninterrupted text
- Three week leadtime
- Case: 500 - 10 lbs



Reusable Basic Lid

- Reusable, injection molded
- Black & white standard
- Available in red
- No straw slot
- Call for shipping info



Clear Single-Use Lid

- Clear, thermo-formed
- With & without straw slot
- Case: 1,000 - 8 lbs



Clear High Dome Lid

- Clear, thermo-formed
- With top opening
- Case: 1,000 - 10 lbs



Cappuccino Lid

- White/Black, thermo-formed
- Vented lid
- Case: 1,000 - 8 lbs