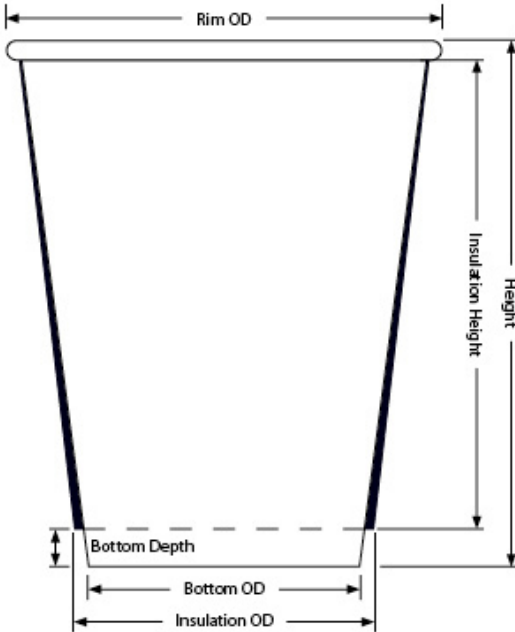




# XND3 12oz Drink Cup (D3)

12oz Double Wall VANISH™ Plastic-FREE Paper Cup



**Capacity:** 13.10oz / 387.20ml

**Material:** 15.7pt VANISH™ Plastic-FREE, Compostable, Recyclable Paper SFI PEFC Certified

**Minimum:** 1,000 pieces

**Height:** 4.248" ±.015

**Rim Height:** 0.150" ±.010

**Rim OD:** 3.515" ±.010

**Bottom OD:** 2.184" ±.010

**Bottom Depth:** 0.300" ±.010

**Shipping:** FOB NV - Made in the USA

12oz Drink Cup (D3) available in [Double Wall](#)  
[Plastic-Free Double Wall](#)

## XND3 Standard Case Pack Configuration

Box Dimensions: 19.50"x18.25"x13.63"

Box Volume: 2.81 Cubic Feet

Box Weight: 24 lbs

Box Content: 500 Pieces

Pallet Dimensions: 40.00"x48.00"x87"

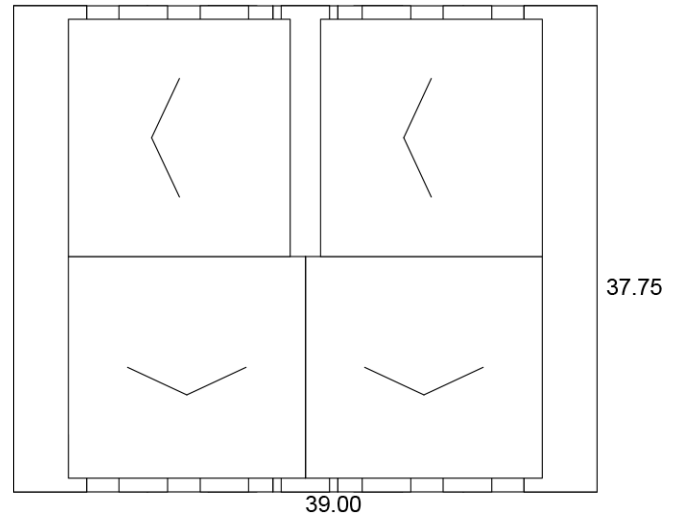
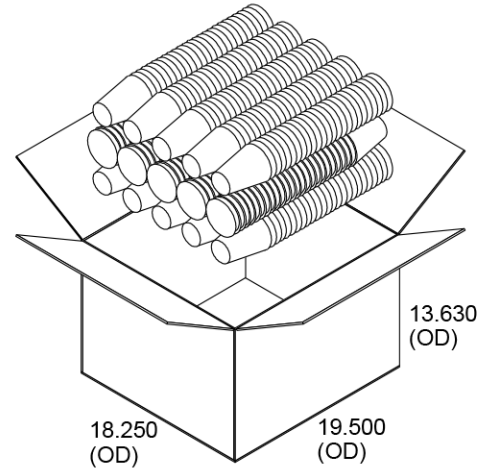
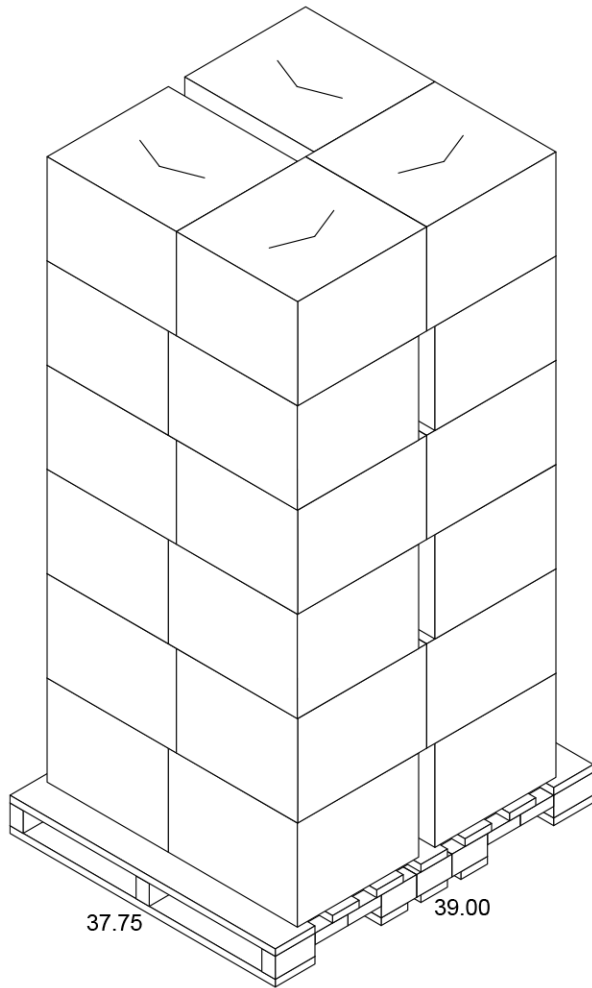
Pallet Weight: 621 lbs

Pallet Content: 12,000 Pieces / 24 Boxes

**SEE LID OPTIONS ON LAST PAGE**

# Pallet for XND3 (Matte)

12oz Double Wall VANISH™ Plastic-FREE Paper Cup



## Lid Options for XND3 (Matte)

12oz Double Wall VANISH™ Plastic-FREE Paper Cup



### P2 Printed Snap-Fit Paper

- Hi-Definition, Full Color
- Customizable
- Seamlessly registered text
- Uninterrupted text
- Three week leadtime
- Case: 500 - 10 lbs



### Clear Single-Use Lid

- Clear, thermo-formed
- With & without straw slot
- Case: 1,000 - 8 lbs



### Clear High Dome Lid

- Clear, thermo-formed
- With top opening
- Case: 1,000 - 10 lbs



### Cappuccino Lid

- White/Black, thermo-formed
- Vented lid
- Case: 1,000 - 8 lbs